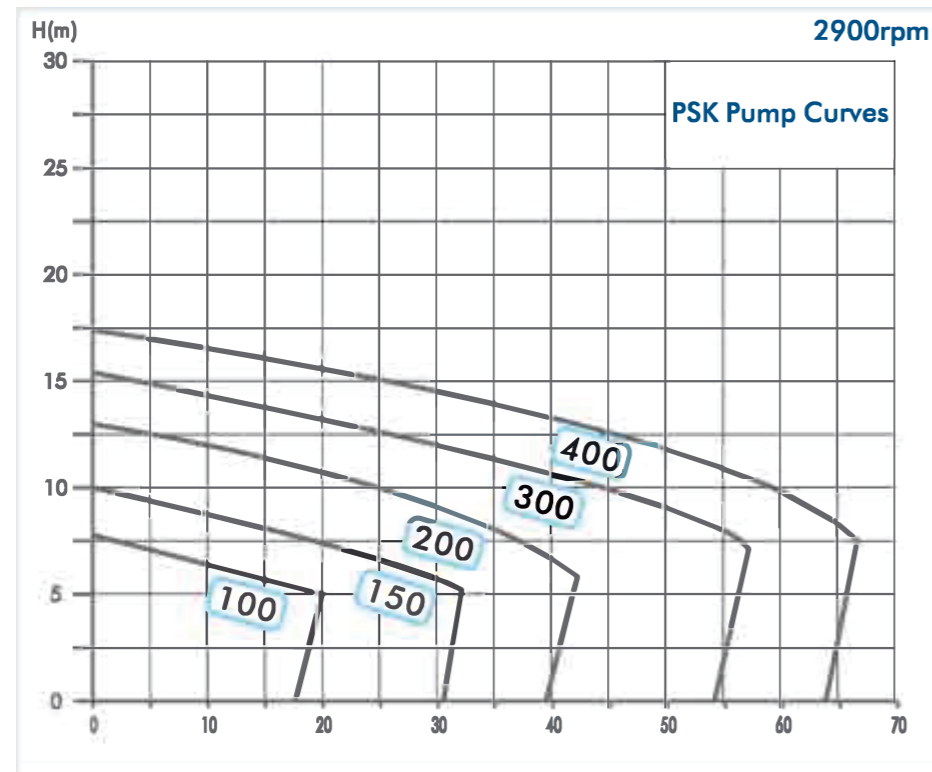


Performance Curve



PSK Performance Data

Model		Power		Capacity									
Single Phase 240V /50HZ	Three Phase △ 220V - Y415V/50HZ	KW	HP	m³/h	6	12	18	24	33	42	48	57	66
				1/min	100	200	300	400	550	700	800	950	1100
PSK100	PSKT100	0.75	1.0		7	6	5						
PSK150	PSKT150	1.1	1.5		9.5	8.8	7.8	6.7	5				
PSK200	PSKT200	1.5	2.0		12.7	12	11.2	10	8.3	6.5			
-	PSKT300	2.2	3.0		15	14	13.5	12.7	11.2	9.8	8.9	7.5	
-	PSKT400	3.0	4.0		17.5	16.8	16	15.2	4	12.5	11.5	9.7	7.5

WATER PUMP

PSK SERIES



PSK Series

Potenza Semi-open impeller Stainless Steel pump



Introduction

- PSK Series semi open impeller pump are suitable for high volume water transfer which are non aggressive to stainless steel SUS304

Application

- Suitable for circulation cleaning system of various production lines and transporting media containing impurities. Liquid food production & processing; spray booth; irrigation.

Materials

- Mechanical Seal: Carbon/Sic/EPDM/(Viton on request)
- Impeller: SUS304
- Shaft: SUS304
- Pump Casing: SUS304
- Bracket and Motor Casing material: Aluminium

Technical Data

- Maximum working pressure: 10 bar
- Liquid Temperature: -20°C ~ +80°C
- Optional Viton seal (-20°C ~ +110°C)

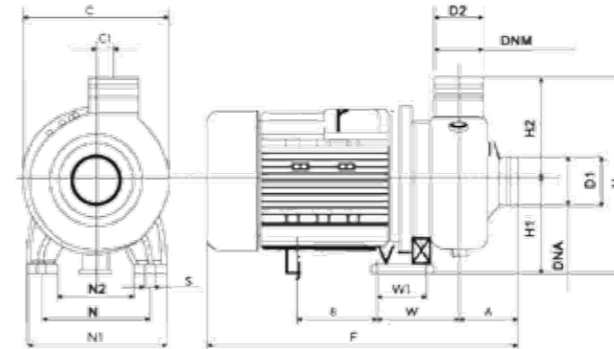
Motor

- 1E2, 2 Pole induction motor, continous duty, TEFC, Class F, IP55.
- Single phase: 240V/1ph/50Hz (with thermal protection)
- Three phase: 415V/3ph/50Hz
- Ambient temperature; -15°C ~ +40°C

Advantages

- Laser welded pump housing
- Energy Saving (1E2 Motor)
- NSK Ball Bearing (Made in Japan)
- Large Water Capacity
- Pump material SUS304 (Anti-rust)

PSK Outline Dimension



Dimensions(mm)																		
Model	A	C	Cl	F	H	HI	H2	N	NI	N2	S	W	WI	B	DI	DNA	D2	DNM
PSK100	74.5	170	20	358	226	108	118	120	160	BO	9	84	52	90	052	G1½"	052	G1½"
PSK150	82	193	20	364	253	120	133	140	180	100	9	100	52	74	063	G2"	063	G2"
PSK200	82	193	20	364	253	120	133	140	180	100	9	100	52	74	063	G2"	063	G2"
PSK300	82	193	20	390	253	120	133	140	180	100	9	100	52	65	080	G2½"	063	G2"
PSK400	82	193	20	390	253	120	133	140	180	100	9	100	52	65	080	G2½"	063	G2"

PSK Exploded View

No.	Description	No.	Description	No.	Description
1	Motor	6	Mechanical seal	11	O ring
2	Key	7	Mech. Seal Carrier	12	"L"Washer
3	"V"Slinger	8	Impeller	13	Priming/ Drain Bolt
4	Back Cover	9	Spring washer	14	Casing
5	O ring	10	Impeller Nut	15	Screw

