



WATER PUMP

PCM SERIES



PCM Series

Single impeller silent centrifugal pump



Application

- Single impeller centrifugal pump, suitable for household, civil irrigation, system in gardening and industrial usage.

Operating Conditions

- Liquid temperature up to 60°C
- Ambient temperature up to 40°C
- Total suction lift up to 9m
- Continuous duty
- pH: 6.5 to 8.5

Pump

- Pump Body: Cast Iron
- Impeller: Brass/Techno-polymer/Stainless steel
- Mechanical Seal: Carbon/Ceramic/Stainless Steel
- Front bracket: Cast Iron
- Mounting bracket: Cast iron

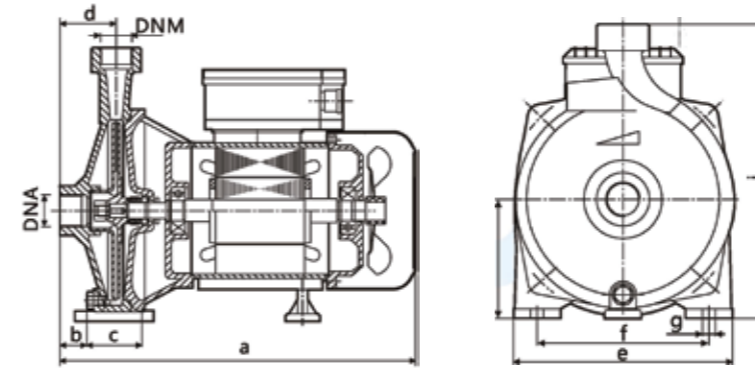
Motor

- Duty S1, TEFC, 2P, Class B, IP44
- Single phase: 240V/1ph/50Hz (with thermal protection)
- Three phase: 415V/3ph/50Hz
- Aluminium housing, Shaft AISI304

PCM Technical Data (220~240V/50Hz)

Model		Power		Current Amp		n=2850r/min		Q(m ³ /h-1/min)						
Single Phase 240V /50HZ	Three Phase 3800V/50HZ	kW	HP	1x240V	3x415V	Q-Max	H-Max	0	1.8	3.6	5.4	6.6	9.0	10.8
						L/min	m	0	30	60	90	110	150	180
PCM 100	PCMT 100	0.75	1.0	5.2	1.6	110	32	32	28	23	15	8	-	-
PCM 200	PCMT 200	1.5	2.0	7.0	2.4	180	36	36	32	27	22	19	12	5

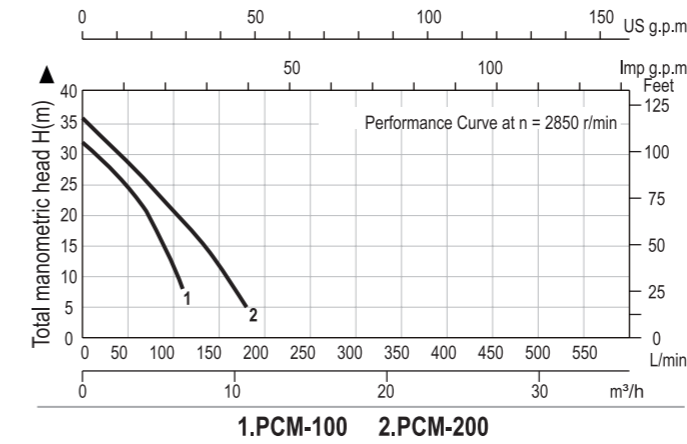
PCM Outline Dimension



Overall & Installation Dimensions

Model	DNA		DNM		Dimension(mm)												
	Inch	mm	Inch	mm	a	b	c	d	e	f	g	h	i	j	k	l	m
PCM 100	1"	25	1"	25	305	-	-	44	190	160	10	100	242	-	-	-	-
PCM 200	1.5"	40	1.5"	40	360	-	-	53	207	160	10	112	262	-	-	-	-

Performance Curves



Package information

Model	Package dimensions & G.W. (mm)			
	L	W	H	kg
PCM100	340	210	261	13.8
PCM200	405	220	280	21

